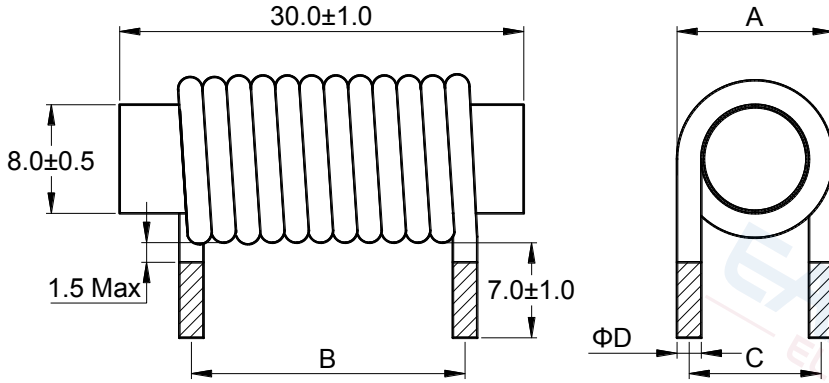
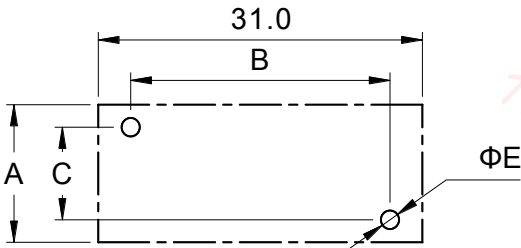


Rod Choke Inductor

1 外形尺寸 Appearance and dimensions (mm)



2 参考焊孔尺寸 Reference hole pattern (mm)



| Part No. 型号 | A | B | C | D | E |
|----------------|------|------|------|-------|------|
| | Max | ±1.0 | ±0.5 | ±0.15 | Ref. |
| 4R7 | 12.2 | 22.5 | 9.85 | 1.80 | 2.20 |
| 5R6 | 11.8 | 22.0 | 9.65 | 1.60 | 2.00 |
| 6R8 | 11.6 | 21.0 | 9.45 | 1.40 | 1.80 |
| 8R2 | 11.2 | 21.0 | 9.35 | 1.30 | 1.70 |
| 100 | 10.9 | 22.0 | 9.25 | 1.20 | 1.60 |
| 150 | 10.6 | 23.0 | 9.05 | 1.00 | 1.40 |
| 220 | 10.2 | 22.5 | 8.85 | 0.80 | 1.20 |

3 电气特性 Electrical characteristics

| Part No. 品名 | Inductance (μH) 电感值 ※1 ±20% | D.C.R. (mΩ) 直流电阻 | | Saturation current (A) 饱和电流 ※2 | Temperature rise current (A) 温升电流 ※3 |
|----------------|-----------------------------------|---------------------|------|--------------------------------------|--|
| | | Typical | Max | Typical | Typical |
| ARA0830-4R7M | 4.70 | 2.72 | 3.54 | 21.0 | 27.7 |
| ARA0830-5R6M | 5.60 | 3.59 | 4.66 | 19.0 | 24.1 |
| ARA0830-6R8M | 6.80 | 5.00 | 6.47 | 16.0 | 20.4 |
| ARA0830-8R2M | 8.20 | 6.20 | 8.10 | 14.0 | 18.3 |
| ARA0830-100M | 10.0 | 8.15 | 10.6 | 12.0 | 16.0 |
| ARA0830-150M | 15.0 | 14.2 | 18.4 | 10.0 | 12.1 |
| ARA0830-220M | 22.0 | 25.2 | 32.8 | 9.00 | 9.10 |

All data is tested based on 25°C ambient temperature.

所有数据基于环境温度 25°C 条件下测试。

※1 Inductance measure condition at 1kHz, 0.25V.

电感测试条件为 1kHz, 0.25V。

※2 Saturation current: the actual value of DC current when the inductance decrease 20% of its initial value.

饱和电流: 电感值下降其初始值的 20% 时所加载的实际直流电流值。

※3 Temperature rise current: the actual value of DC current when the temperature rise is ΔT40°C (Ta=25°C).

温升电流: 使产品温度上升到 ΔT40°C 时所加载的实际直流电流值 (Ta=25°C)。

※ Special remind: Circuit design, component placement, PWB size and thickness, cooling system and etc.

all will affect the product temperature. Please verify the product temperature in the final application.

特别提醒: 线路设计, 组件布局, 印刷线路板(PWB)尺寸及厚度, 散热系统等均会影响产品温度。

请务必在最终应用时, 验证产品发热状况。