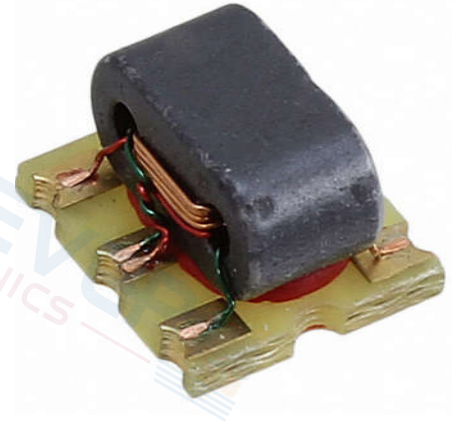


Features::

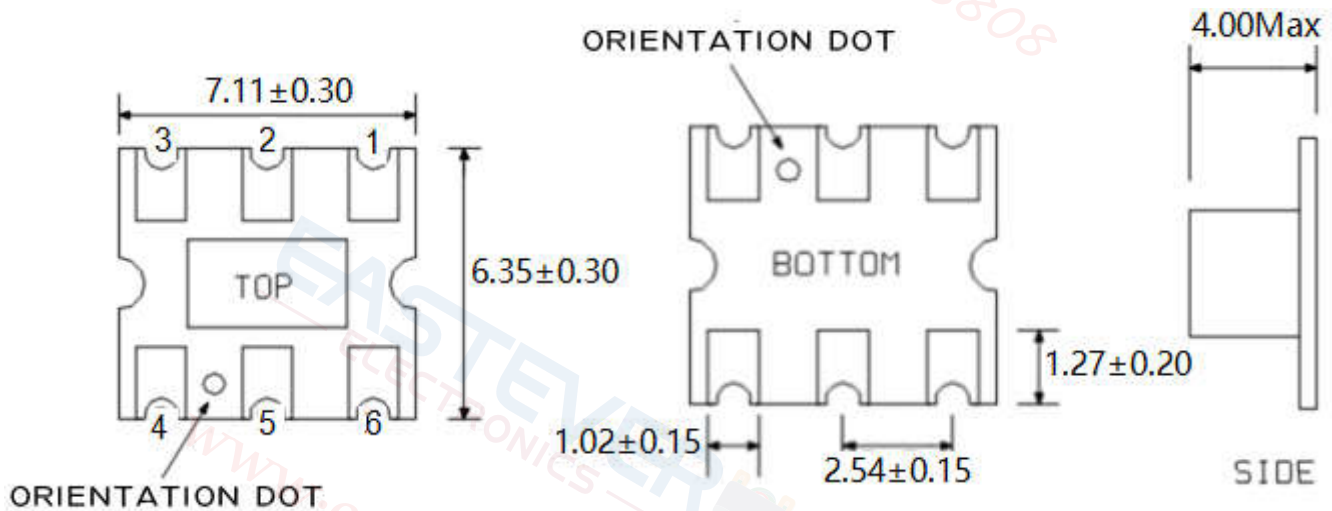
- ◆ Equivalent to: MABA-011002/MABA-011048
- ◆ 75 Ω Characteristic Impedance
- ◆ Frequency: 5 to 200 MHz
- ◆ RF power: 1.0W
- ◆ DC current: 500mA
- ◆ Operating temperature range: -40°C to +85°C
- ◆ Storage temperature range: -55°C to +100°C



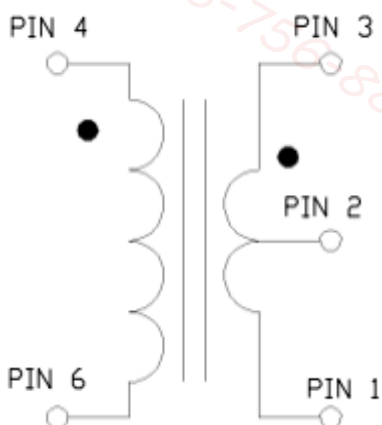
Applications:

- ◆ For broadband and Docsis 3.1 Cable Modem
- ◆ For VHF/UHF receivers/transmitters and push-pull amplifiers

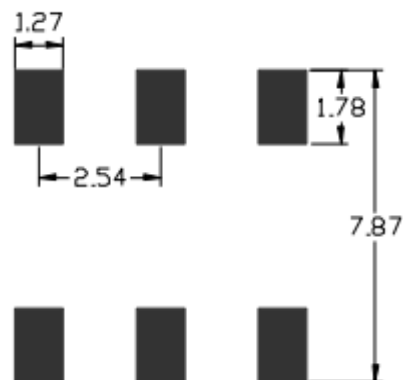
Dimension Diagram (Unit:mm) :



Electrical structure:



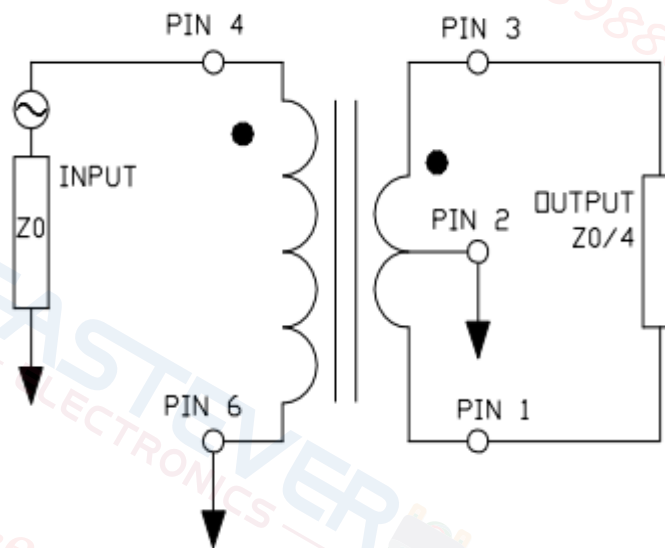
Recommended layout:



Pin configuration:

Pin No.	Function
1	Secondary (Output 2)
2	Centre tap(Ground)
3	Secondary dot(Output 1)
4	Primary dot(Input)
6	Primary(Ground)

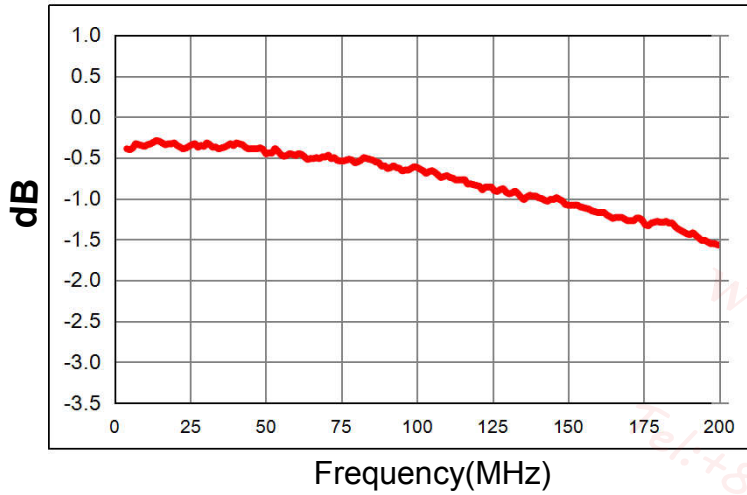
Application circuit :



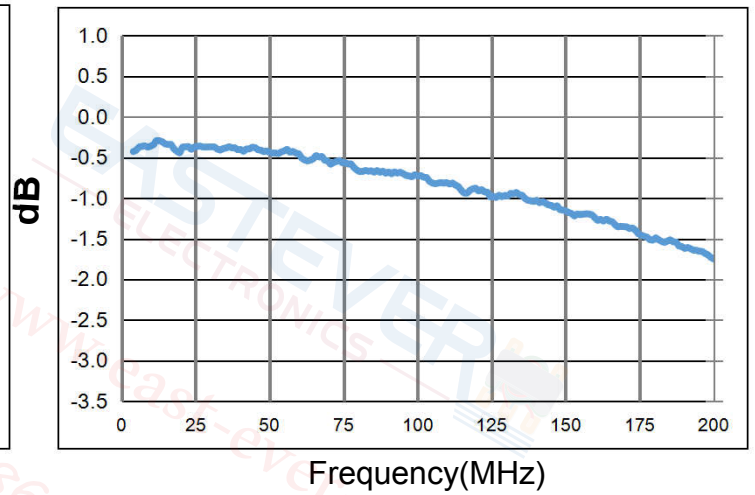
Electrical Specifications: TA=25°C, 0dBm, Z0=75Ω:

Parameter	Test Conditions	Units	Min	Typ	Max
Main line Loss(out1)	5-200MHz	dB	—	1.5	2.5
Main line Loss(out2)	5-200MHz	dB	—	1.5	2.5
Amplitude Balance	5-200MHz	dB	—	0.1	1.2
Phase Balance	5-200MHz	°	—	2.0	±6.0
Input Return Loss	5-200MHz	dB	5.0	8.0	—

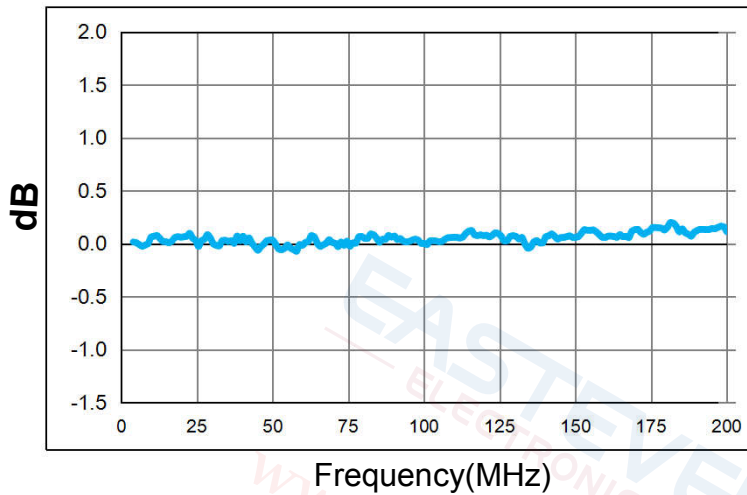
Main line Loss(out1)



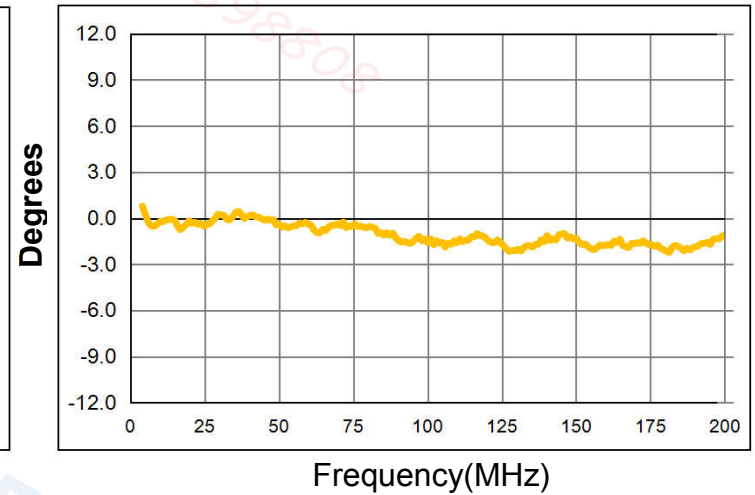
Main line Loss(out2)



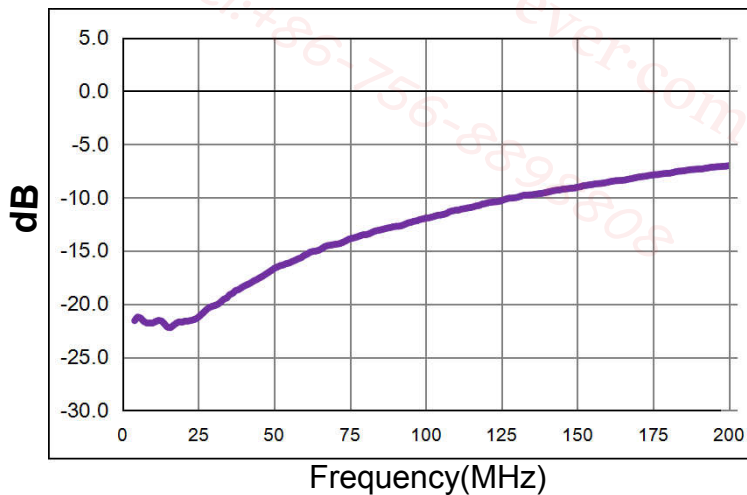
Amplitude Balance



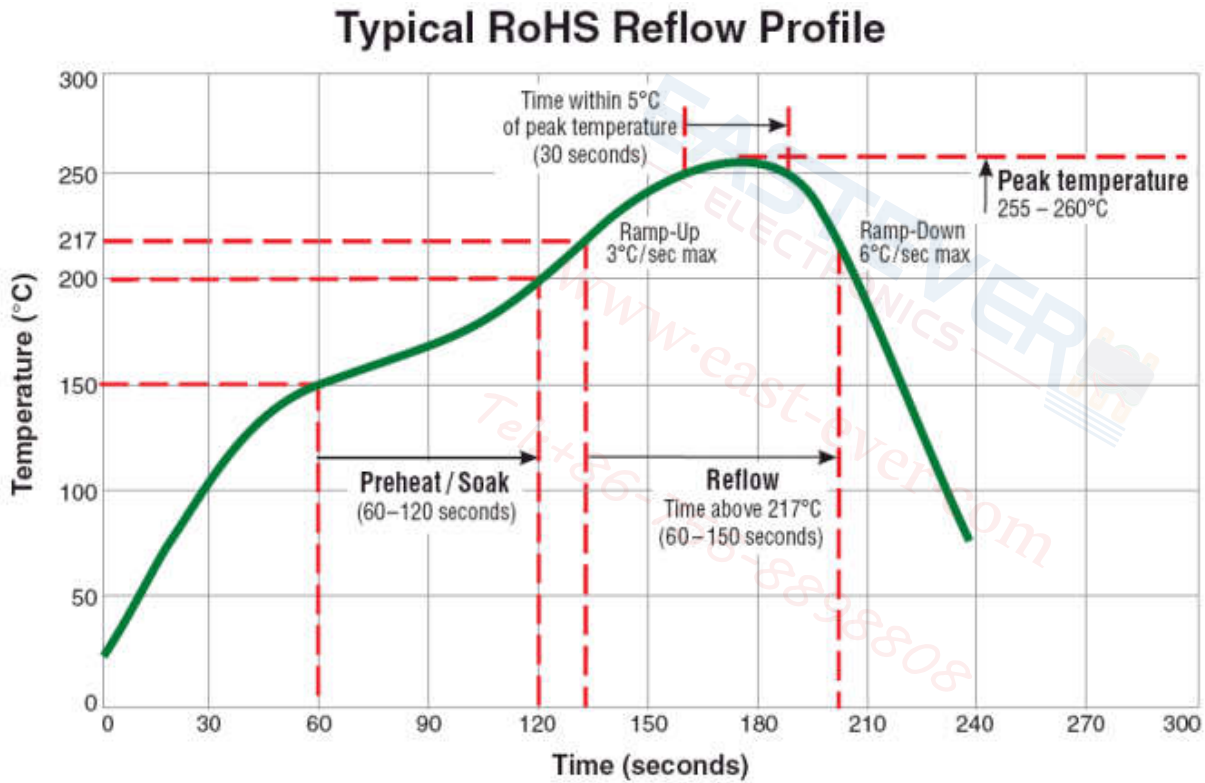
Phase Balance



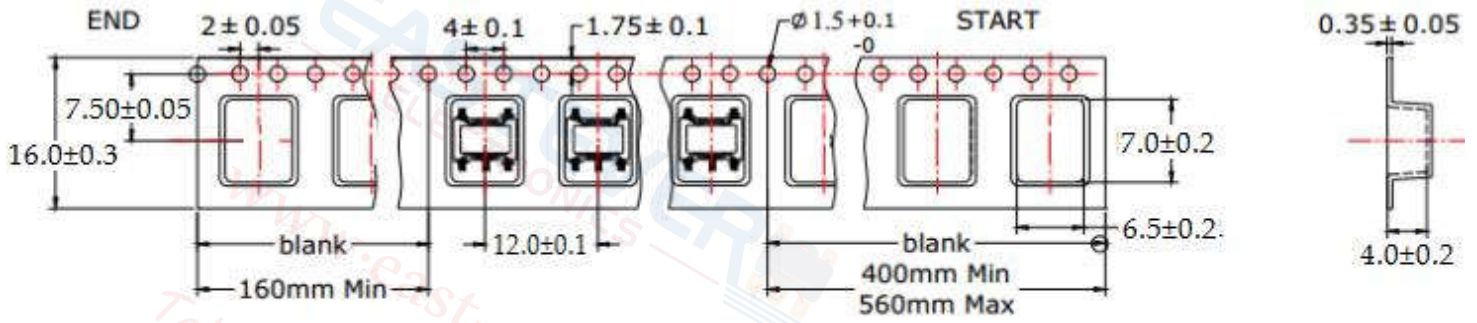
Input Return Loss



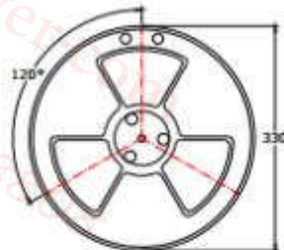
Recommended Soldering Temperature Graph:



Packaging Dimension For Caeier Tape(UNIT:mm):



QUANTITY
1000PCS/Reel
3Reels/Middle Carton Middle Carton:
4 Middle Cartons/Big Carton
12000PCS/ Big Carton



SPEC	8	12	16	24
DIM A±0.1	8.5	12.5	16.5	24.5
DIM B±0.1	2.3	2.3	2.3	2.3
DIM C±0.1	100	100	100	100

