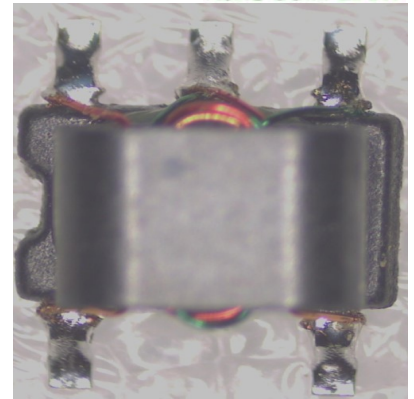


**Features:**

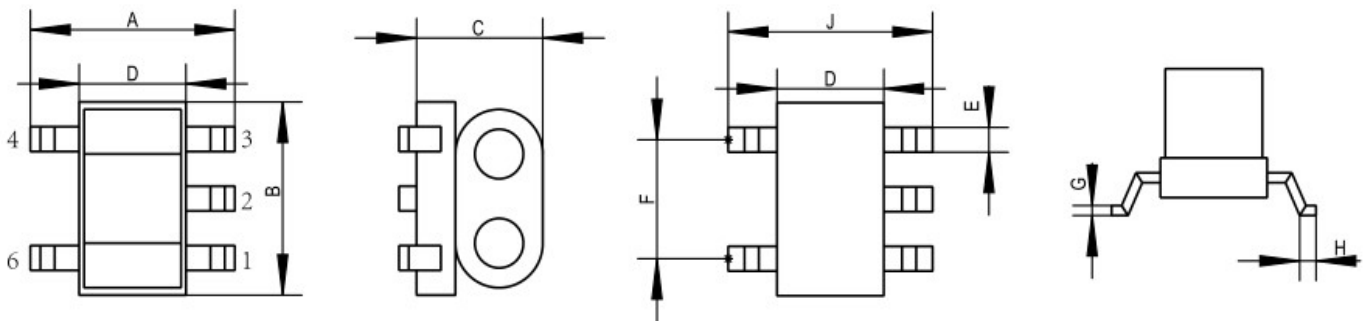
- ◆ Equivalent to: MABA-011026
- ◆ 75Ω Characteristic Impedance
- ◆ Frequency: 5 to 300MHz
- ◆ RF power: 0.50W
- ◆ Operating temperature range: -40°C to +85°C
- ◆ Storage temperature range: -55°C to +125°C



**Applications:**

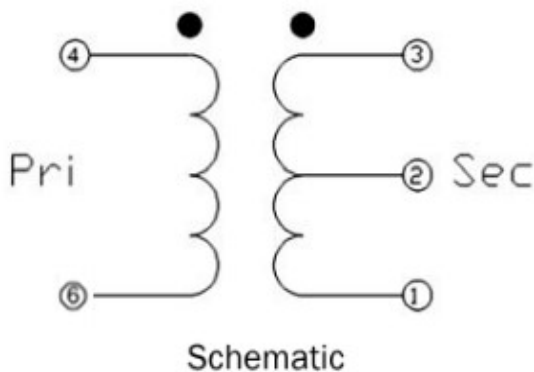
- ◆ For broadband and wireless communications
- ◆ For VHF/UHF receivers/transmitters and push-pull amplifiers

**Dimension Diagram (Unit:mm) :**

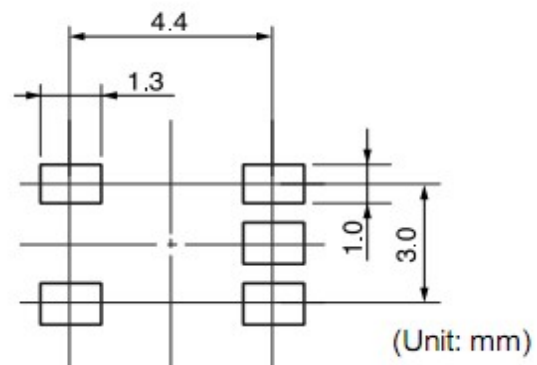


A=5.10±0.20 B=4.30±0.20 C=3.20±0.20 D=2.80±0.20 E=0.50±0.10 F=3.00±0.10 G=0.25±0.10 H=0.50±0.10

**Electrical structure:**



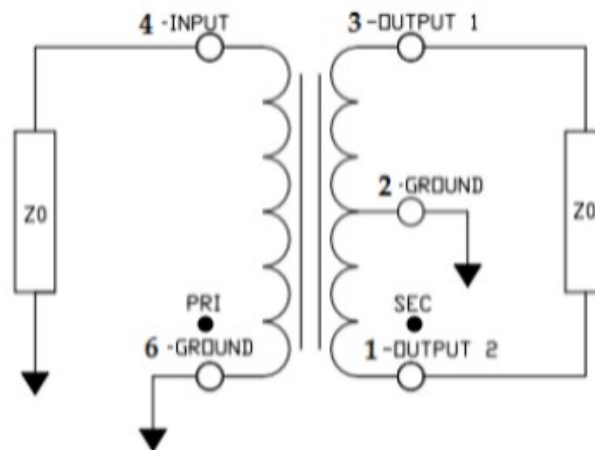
**Recommended layout:**



**Pin configuration:**

Pin no.	Function
1	Secondary (Output 2)
2	Centre tap (Ground)
3	Secondary dot (Output 1)
4	Primary dot (Input)
6	Primary (Ground)

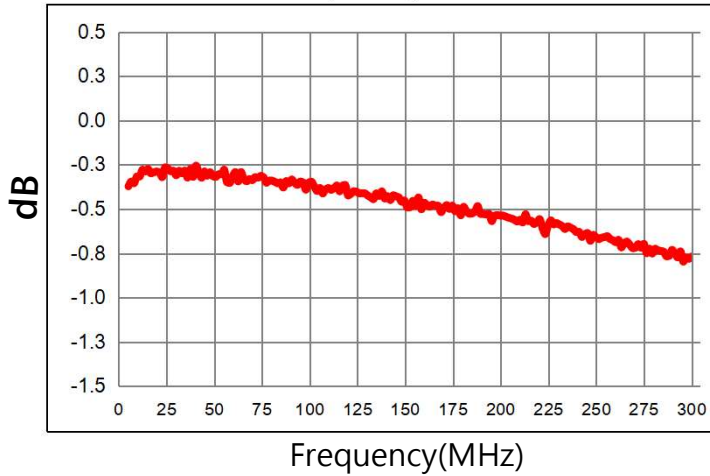
**Application circuit :**



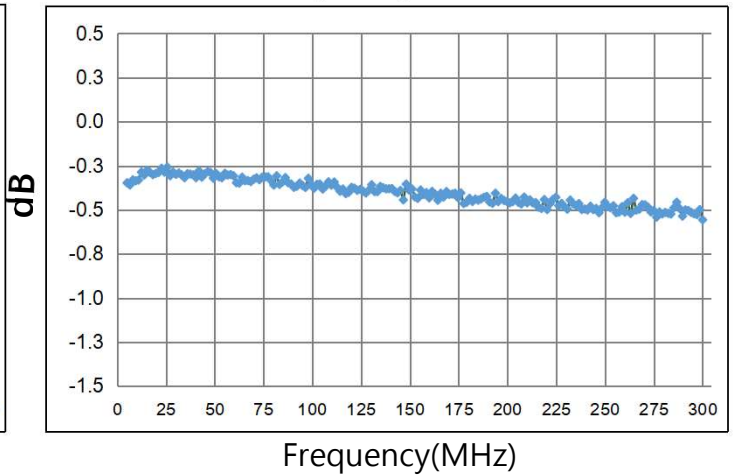
**Electrical Specifications: TA=25°C,Z0=75Ω:**

Parameter	Test Conditions	Units	Min	Typ	Max
Main line Loss(out1)	5-150MHz	dB	-	0.4	1.0
	150-300MHz	dB	-	0.7	1.2
Main line Loss(out2)	5-150MHz	dB	-	0.3	0.8
	150-300MHz	dB	-	0.4	1.0
Amplitude Balance	5-150MHz	dB	-	0.1	0.5
	150-300MHz	dB	-	0.2	1.0
Phase Balance	5-150MHz	dB	-	2.0	5.0
	150-300MHz	dB	-	2.5	10.0
Input Return Loss	5-150MHz	dB	16.0	20.0	-
	150-300MHz	dB	12.0	16.0	-

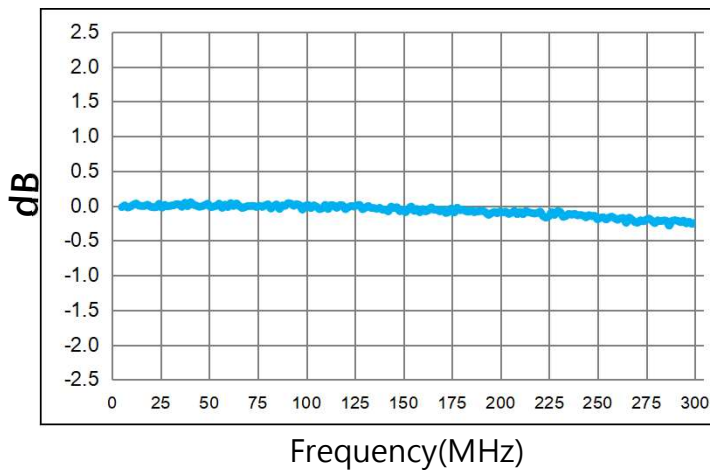
Main line Loss(out1)



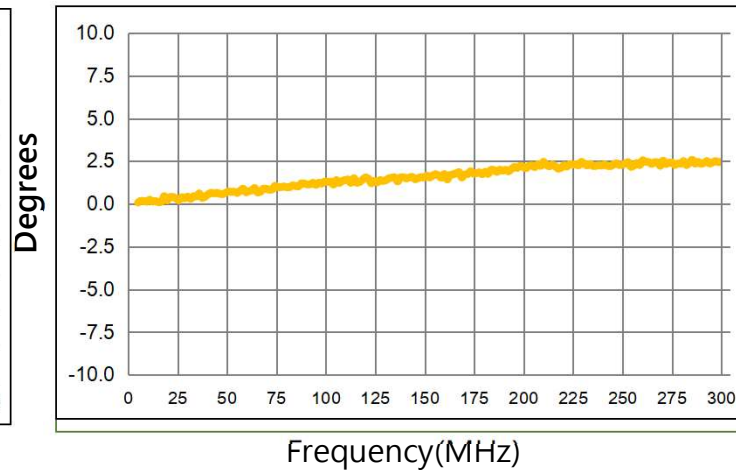
Main line Loss(out2)



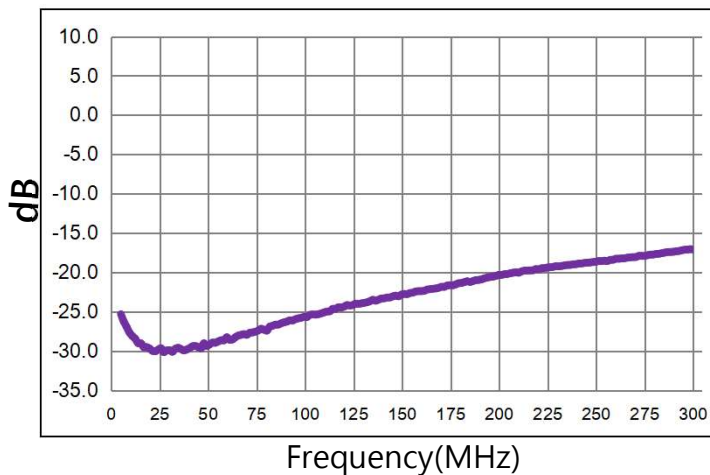
Amplitude Balance



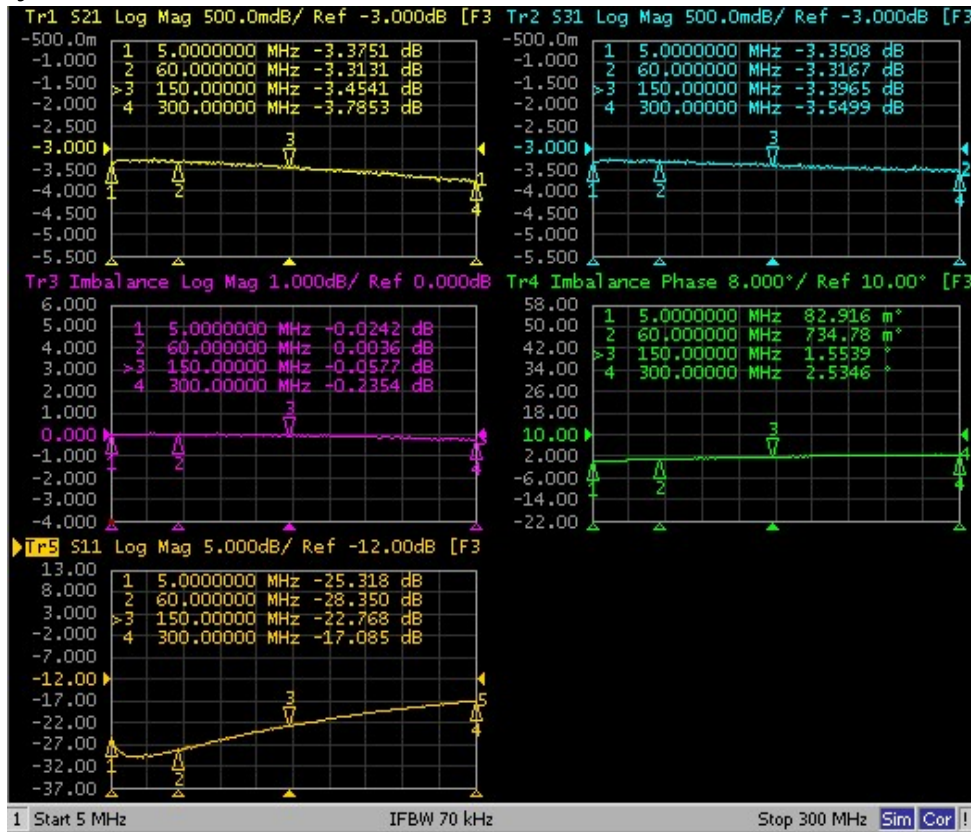
Phase Balance



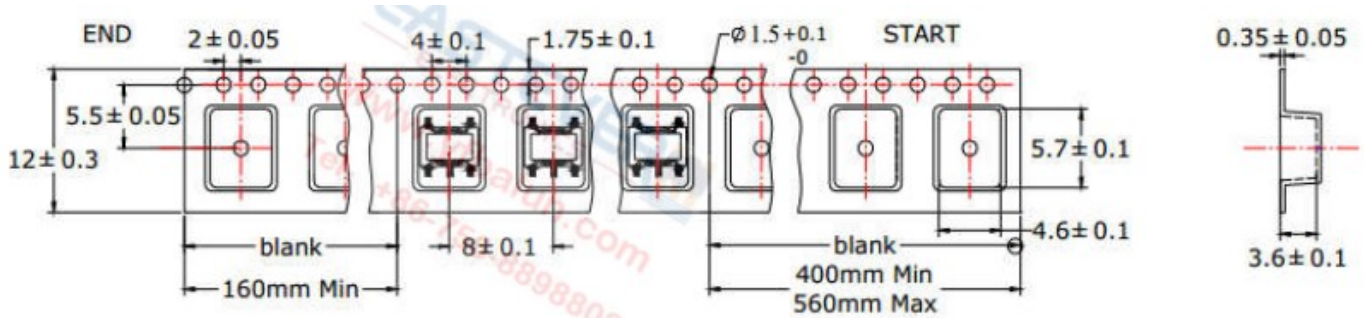
Input Return Loss



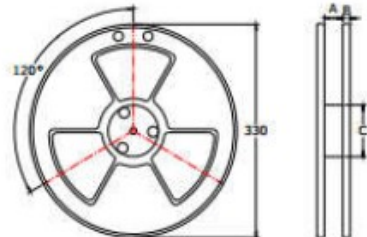
Network Analyzer Test Data Sheet Photos:



Packing Dimension For Caeier Tape(UNIT:mm):



<b>QUANTITY</b>
2000PCS/Reel
4Reels/Middle Carton Middle Carton:
4 Middle Cartons/Big Carton
32000PCS/ Big Carton



SPEC	8	12	16	24
DIM A±0.1	8.5	12.5	16.5	24.5
DIM B±0.1	2.3	2.3	2.3	2.3
DIM C±0.1	100	100	100	100

