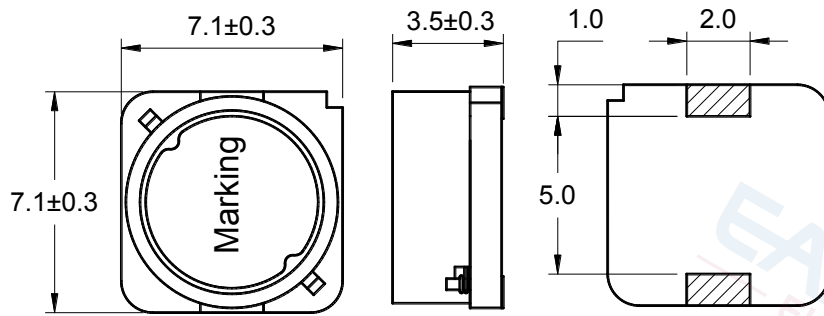


SMD Power Inductor



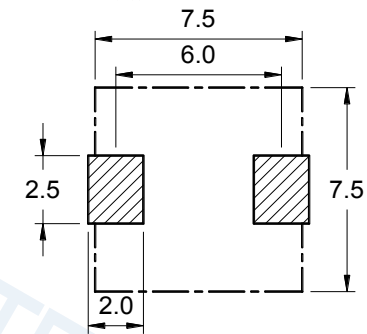
1 Appearance and dimensions (mm)

外形尺寸



2 Reference land pattern (mm)

参考基板尺寸



3 Electrical characteristics 电气特性

| Part No. 型号 | Inductance (μH) 电感值 ※1 | D.C.R. (mΩ) 直流电阻 | | Saturation current (A) 饱和电流 ※2 | | Temperature rise current (A) 温升电流 ※3 |
|----------------|---------------------------|---------------------|-------|-----------------------------------|------|---|
| | | Typical | Max | Typical | Max | Typical |
| EB7035-1R0N | 1.00 ±30% | 13.5 | 16.2 | 5.50 | 4.40 | 4.88 |
| EB7035-1R5N | 1.50 ±30% | 16.5 | 19.8 | 4.70 | 3.76 | 4.41 |
| EB7035-2R2N | 2.20 ±30% | 18.5 | 22.2 | 4.00 | 3.20 | 4.17 |
| EB7035-3R3N | 3.30 ±30% | 24.4 | 29.3 | 3.10 | 2.48 | 3.63 |
| EB7035-4R7N | 4.70 ±30% | 31.0 | 37.2 | 2.50 | 2.00 | 3.22 |
| EB7035-6R8N | 6.80 ±30% | 41.0 | 49.2 | 2.10 | 1.68 | 2.80 |
| EB7035-8R2N | 8.20 ±30% | 46.0 | 55.2 | 1.95 | 1.56 | 2.64 |
| EB7035-100M | 10.0 ±20% | 52.0 | 62.4 | 1.70 | 1.36 | 2.49 |
| EB7035-150M | 15.0 ±20% | 76.0 | 91.2 | 1.40 | 1.12 | 2.06 |
| EB7035-220M | 22.0 ±20% | 115 | 138 | 1.15 | 0.92 | 1.67 |
| EB7035-330M | 33.0 ±20% | 168 | 202 | 0.95 | 0.76 | 1.38 |
| EB7035-470M | 47.0 ±20% | 244 | 293 | 0.78 | 0.62 | 1.15 |
| EB7035-680M | 68.0 ±20% | 312 | 374 | 0.65 | 0.52 | 1.01 |
| EB7035-820M | 82.0 ±20% | 402 | 482 | 0.60 | 0.48 | 0.89 |
| EB7035-101M | 100 ±20% | 470 | 564 | 0.53 | 0.42 | 0.83 |
| EB7035-151M | 150 ±20% | 700 | 840 | 0.45 | 0.36 | 0.68 |
| EB7035-221M | 220 ±20% | 923 | 1,108 | 0.36 | 0.29 | 0.59 |
| EB7035-331M | 330 ±20% | 1,450 | 1,740 | 0.30 | 0.24 | 0.47 |
| EB7035-471M | 470 ±20% | 2,070 | 2,484 | 0.25 | 0.20 | 0.39 |
| EB7035-681M | 680 ±20% | 3,030 | 3,636 | 0.21 | 0.17 | 0.33 |
| EB7035-821M | 820 ±20% | 3,500 | 4,200 | 0.19 | 0.15 | 0.30 |
| EB7035-102M | 1,000 ±20% | 4,600 | 5,520 | 0.17 | 0.14 | 0.26 |

All data is tested based on 25°C ambient temperature. 所有测试数据基于环境温度25°C条件下测试。

※1. Inductance measure condition at 100kHz, 0.1V. 电感测试条件为100kHz, 0.1V。

※2. Saturation current the actual value of DC current when the inductance decrease 20% of its initial value.
饱和电流: 电感值下降其初始值的20%时所加载的实际直流电流值。

※3. Temperature rise current the actual value of DC current when the temperature rise is ΔT40 (Ta=25°C).
温升电流: 使产品温度上升到ΔT40°C时所加载的实际直流电流值(Ta=25°C)



Balun Transformer | Coupler | Divider | Inductor | Choke | Bead | Air Coil | LAN Transformer