

Features:

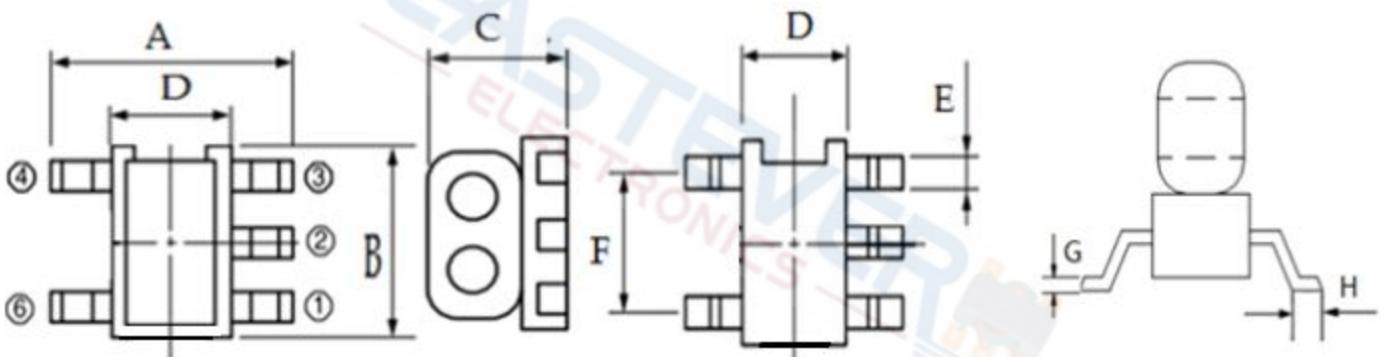
- ◆ Frequency Range: 5 to 1200 MHz
- ◆ Surface mount and available in tape and reel
- ◆ 260°C reflow compatible
- ◆ RoHS Compliant and Pb free
- ◆ Operating temperature range: -40°C to +85°C
- ◆ Storage temperature range: -55°C to +100°C



Applications:

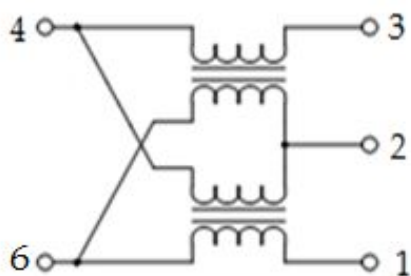
- ◆ For catv
- ◆ For broadband and wireless communications

Dimension diagram (Unit:mm) :

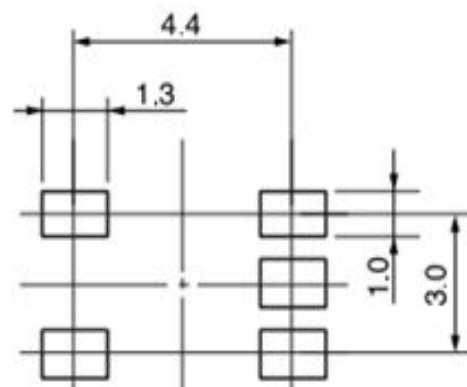


A=5.30±0.20 B=4.30±0.20 C=3.50 Max D=2.80±0.20 E=0.55±0.05 F=3.00±0.05 G=0.25±0.05 H=0.60±0.05

Electrical structure:



Recommended layout(mm):



DRAW BY

yang lin

CHECKED BY

ye yong jun

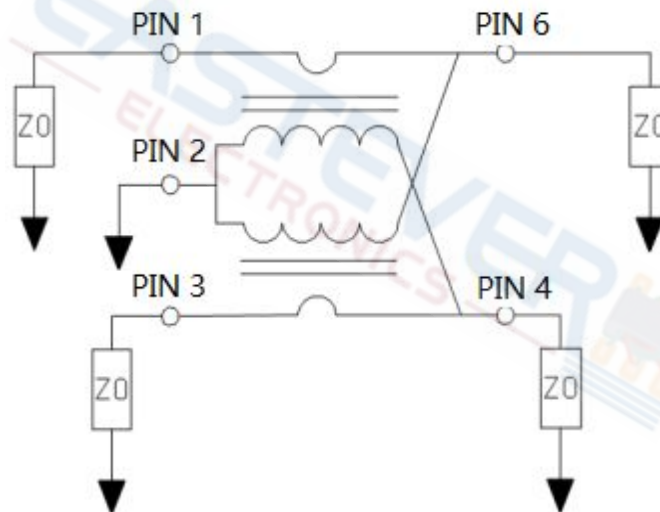
APPROVED BY

deng gao

Pin configuration

Pin no.	Function
1	Input
2	Ground
3	Coupled
4	Isolated
6	Output

Application circuit :



Electrical Specifications: $T_A = 25^\circ\text{C}$ $Z_0 = 75\Omega$

Parameter	Test Conditions	Units	Min	Typ	Max
Main line Loss	5-1200MHz	dB	—	0.5	1.5
Coupling	5-1200MHz	dB	—	17.3	± 1.0
Input Return Loss	5-1200MHz	dB	16.0	23.0	—
Output Return Loss	5-1200MHz	dB	16.0	25.0	—
Coupling Return Loss	5-1200MHz	dB	16.0	23.0	—
Isolation	5-1200MHz	dB	16.0	25.0	—

DRAW BY

yang lin

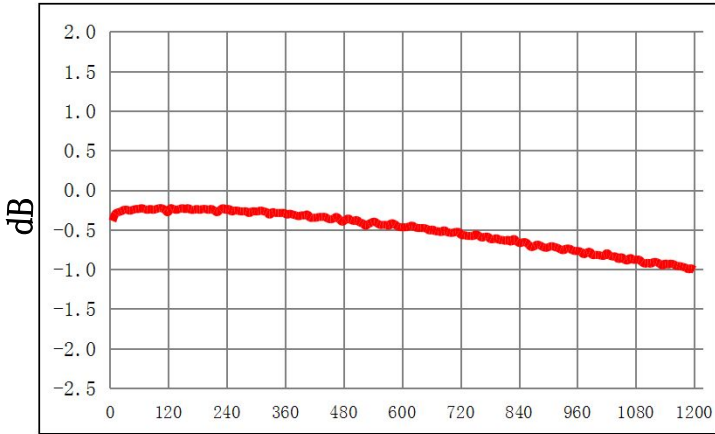
CHECKED BY

ye yong jun

APPROVED BY

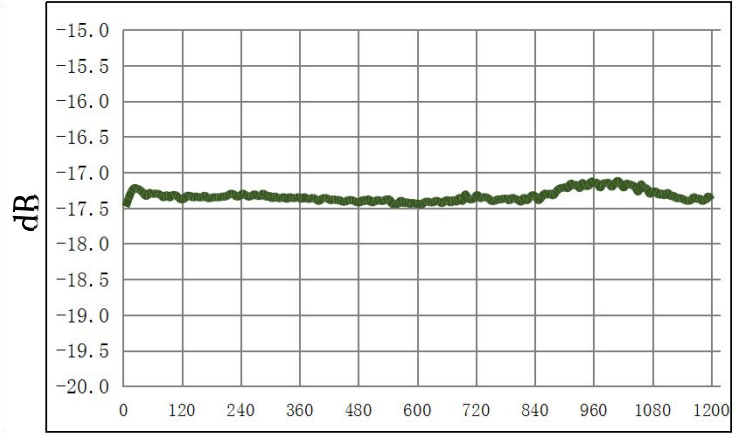
deng gao

Main line Loss (pin1-6) :



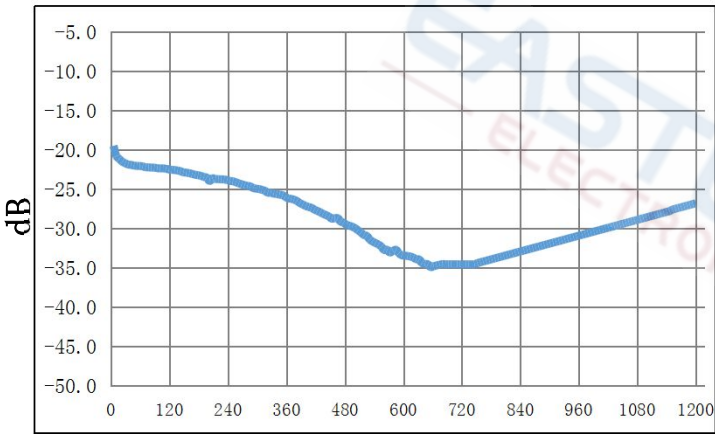
Frequency (MHz)

Coupling (pin1-3) :



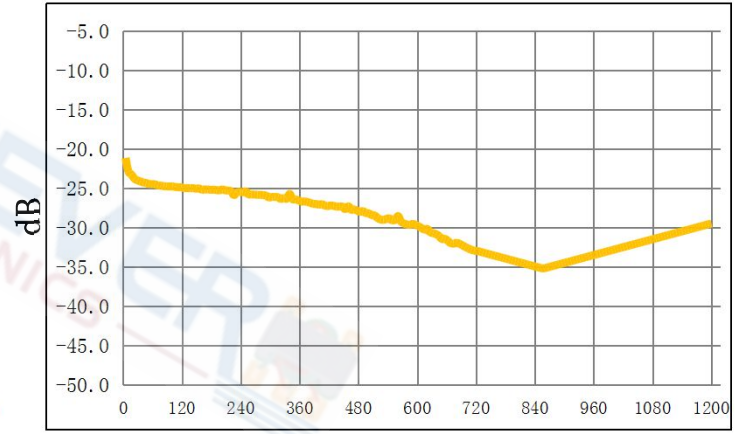
Frequency (MHz)

Input Return Loss (Pin1)



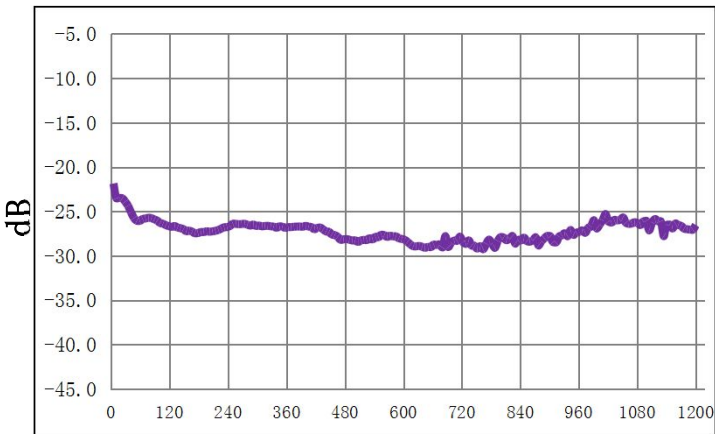
Frequency (MHz)

Output Return Loss (Pin6)



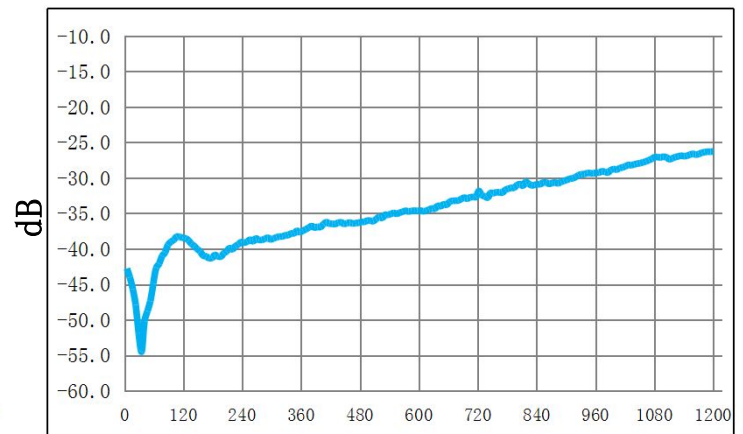
Frequency (MHz)

Coupling Return Loss (Pin3)



Frequency (MHz)

Isolation (Pin1-4)



Frequency (MHz)

DRAW BY

yang lin

CHECKED BY

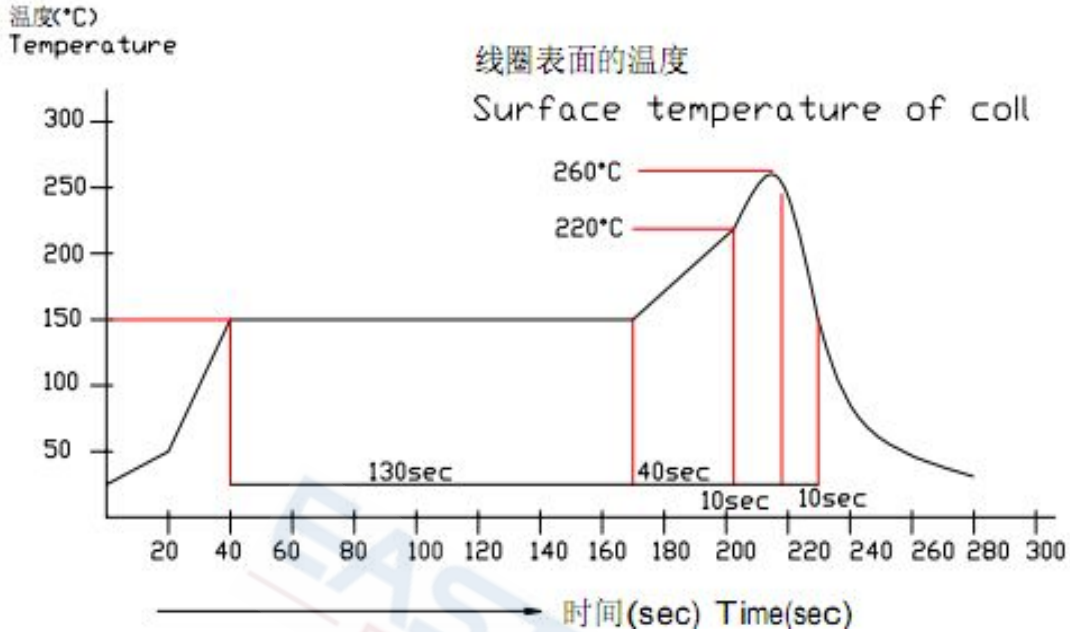
ye yong jun

APPROVED BY

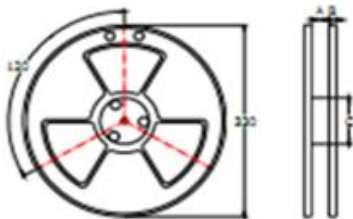
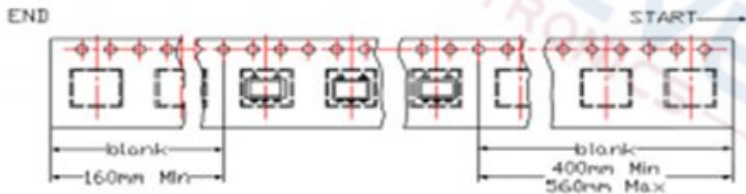
deng gao

Recommended Soldering Temperature Graph:

建议迴焊条件
The condltion of reflow
(Recommendation)



Packging Dimension For Caeier Tape(UNIT:mm):



SPEC	8	12	16	24	32	44	56	72
DIM A±0.1	8.5	12.5	16.5	24.5	32.5	44.5	56.5	72.5
DIM B±0.1	2.3	2.3	2.3	2.3	2.3	2.3	2.3	2.3
DIM C±0.1	100	100	100	100	100	100	100	100

QUANTITY

2000PCS/Reel

15 reel/Big carton/60000pcs

DRAW BY

yang lin

CHECKED BY

ye yong jun

APPROVED BY

deng gao