

Features::

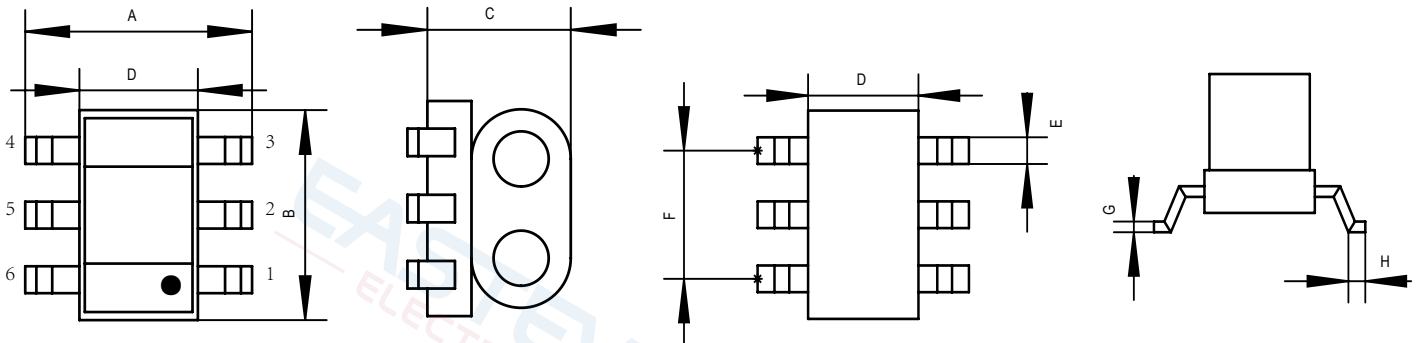
- ◆ 1.33: 1 Impedance
- ◆ 75Ω Impedance
- ◆ Frequency: 0.03 to 250.0 MHz
- ◆ RF power: 0.25W
- ◆ DC current: 30mA
- ◆ Operating temperature range: -40°C to +85°C
- ◆ Storage temperature range: -55°C to +100°C



Applications:

- ◆ For broadband and wireless communications
- ◆ For functional isolation

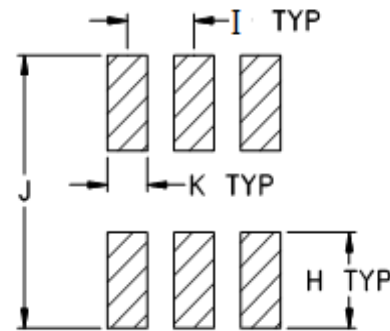
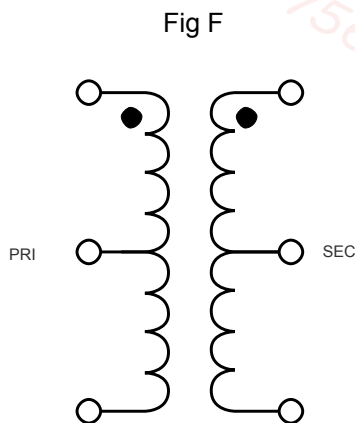
Dimension Diagram (Unit:mm) :



A=6.20±0.20 B=6.00±0.20 C=4.30±0.20 D=4.00±0.20 E=0.6±0.10 F=4.00±0.10 G=0.25±0.10 H=0.50±0.10

Electrical structure:

Recommended layout:

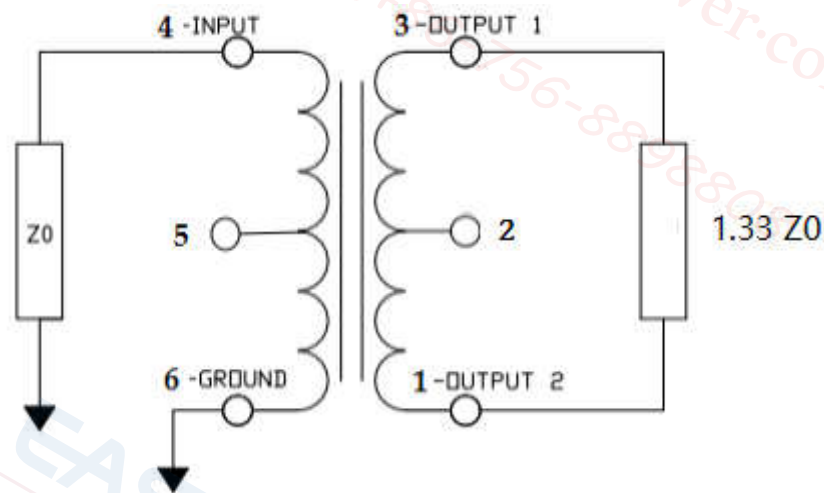


| | | | |
|------|------|------|------|
| H | I | J | K |
| 1.60 | 2.00 | 7.10 | 0.75 |

Pin configuration:

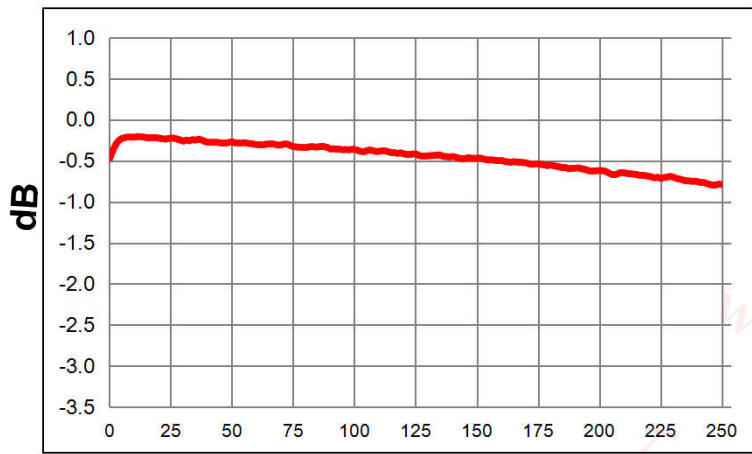
| Pin No. | Function |
|---------|-----------------------|
| 1 | Primary(Output 2) |
| 2 | Centre tap(NOT USE) |
| 3 | Primary dot(Output 1) |
| 4 | Secondary dot(Input) |
| 5 | Centre tap(NOT USE) |
| 6 | Secondary(Ground) |

Application circuit :

Electrical Specifications: $T_A=25^{\circ}\text{C}$, 0dBm, $Z_0=75\Omega$:

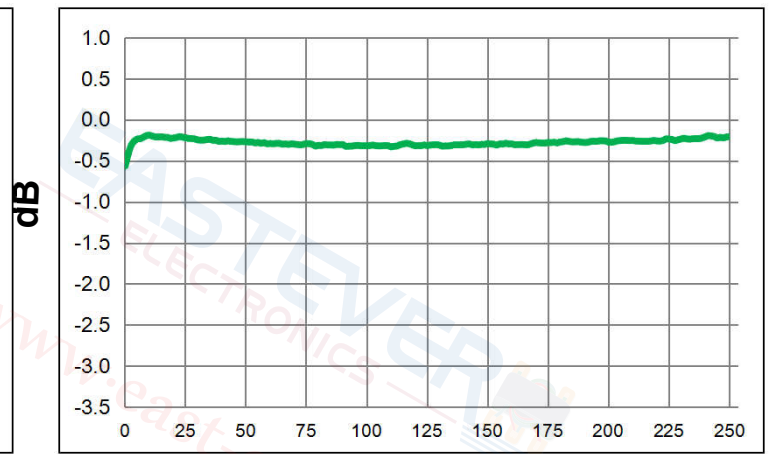
| Parameter | Test Conditions | Units | Min | Typ | Max |
|----------------------|-----------------|---------|------|------------|------------|
| Main line Loss(out1) | 0.03-1MHz | dB | — | 1.00 | 3.0 |
| | 1-125MHz | dB | — | 0.40 | 1.0 |
| | 125-250MHz | dB | — | 0.70 | 1.5 |
| Main line Loss(out2) | 0.03-1MHz | dB | — | 0.80 | 3.0 |
| | 1-250MHz | dB | — | 0.30 | 1.0 |
| Amplitude Balance | 0.03-1MHz | dB | — | ± 0.50 | ± 0.7 |
| | 1-250MHz | dB | — | ± 0.30 | ± 0.7 |
| Phase Balance | 0.03-1MHz | Degrees | — | ± 10.0 | ± 10.0 |
| | 1-250MHz | Degrees | — | ± 5.0 | ± 20.0 |
| Input Return Loss | 0.03-1MHz | dB | 10.0 | 25.0 | — |
| | 1-125MHz | dB | 18.0 | 30.0 | — |
| | 125-250MHz | dB | 15.0 | 26.0 | — |

Main line Loss(out1)



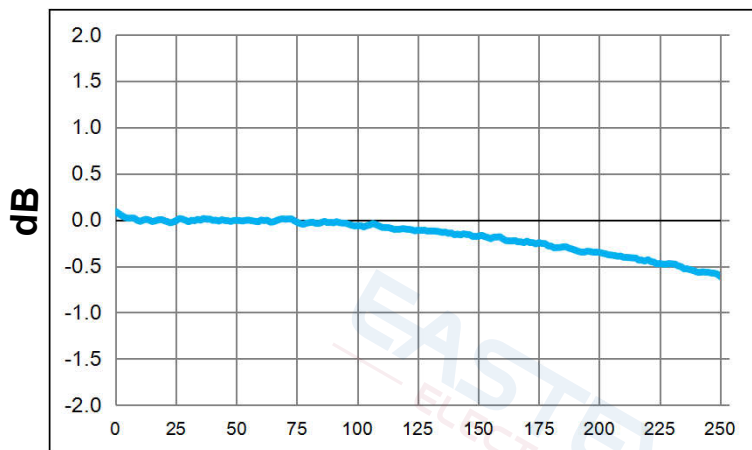
Frequency(MHz)

Main line Loss(out2)



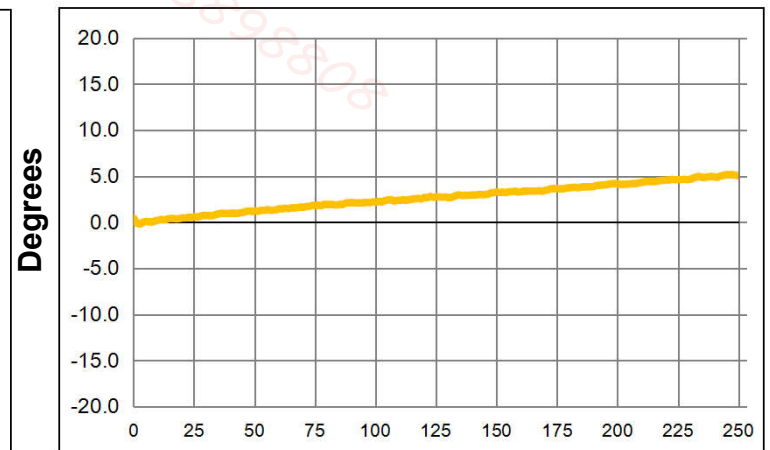
Frequency(MHz)

Amplitude Balance



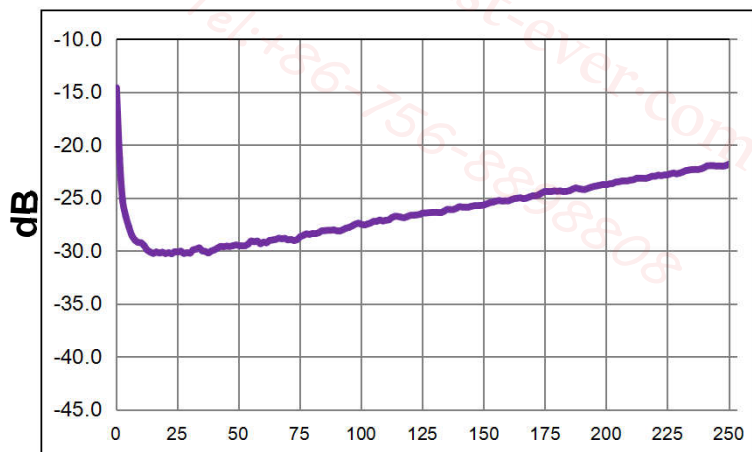
Frequency(MHz)

Phase Balance



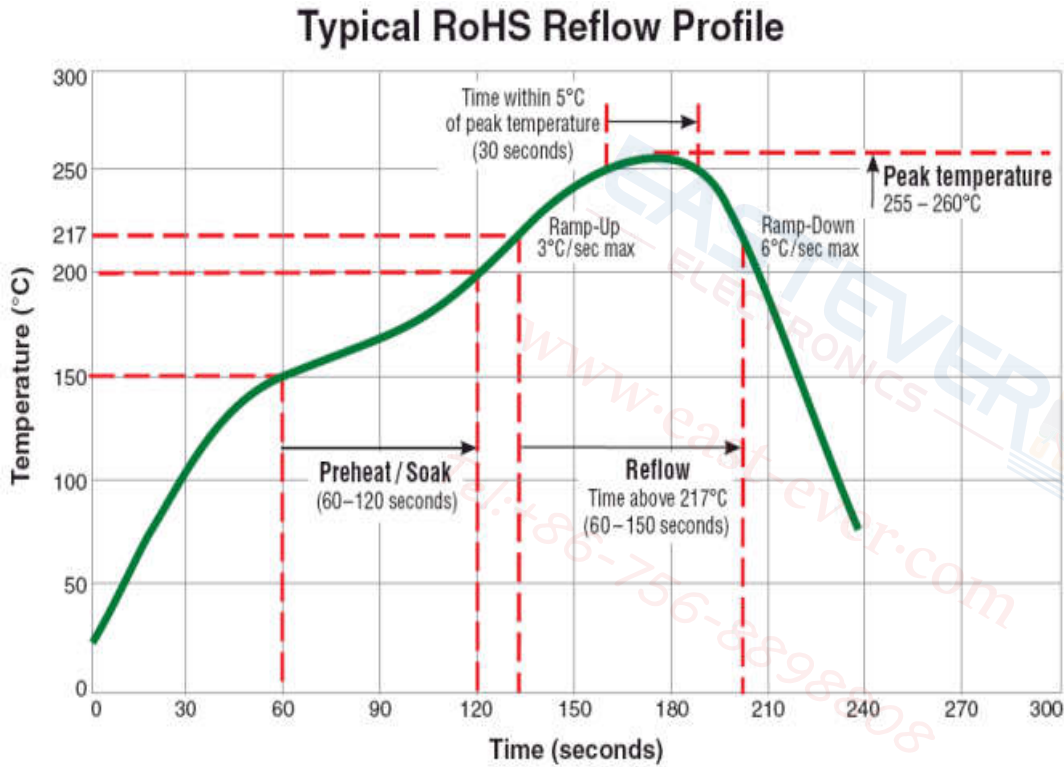
Frequency(MHz)

Input Return Loss

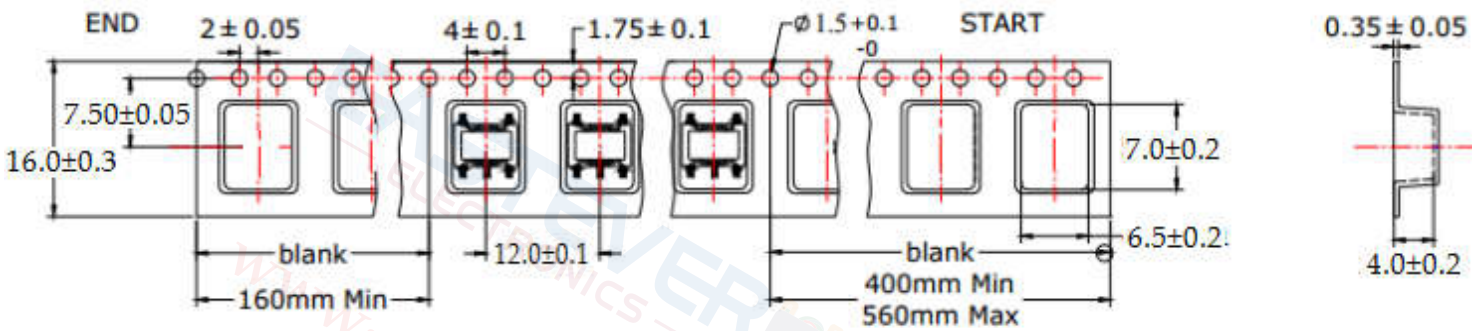


Frequency(MHz)

Recommended Soldering Temperature Graph:



Packaging Dimension For Caeier Tape(UNIT:mm):



| |
|-------------------------------------|
| QUANTITY |
| 1000PCS/Reel |
| 3Reels/Middle Carton Middle Carton: |
| 4 Middle Cartons/Big Carton |
| 12000PCS/ Big Carton |



| SPEC | 8 | 12 | 16 | 24 |
|-----------|-----|------|------|------|
| DIM A±0.1 | 8.5 | 12.5 | 16.5 | 24.5 |
| DIM B±0.1 | 2.3 | 2.3 | 2.3 | 2.3 |
| DIM C±0.1 | 100 | 100 | 100 | 100 |

